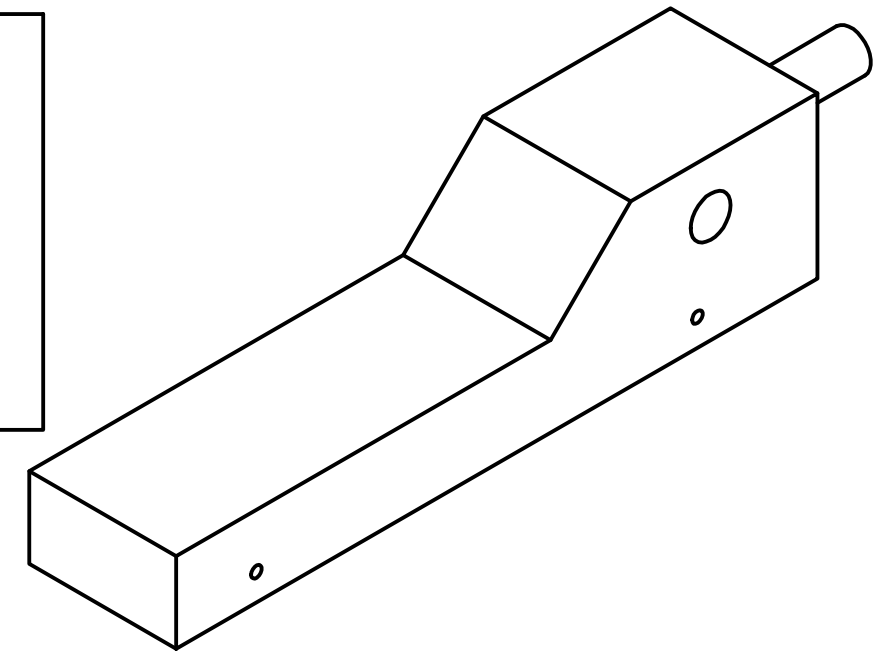
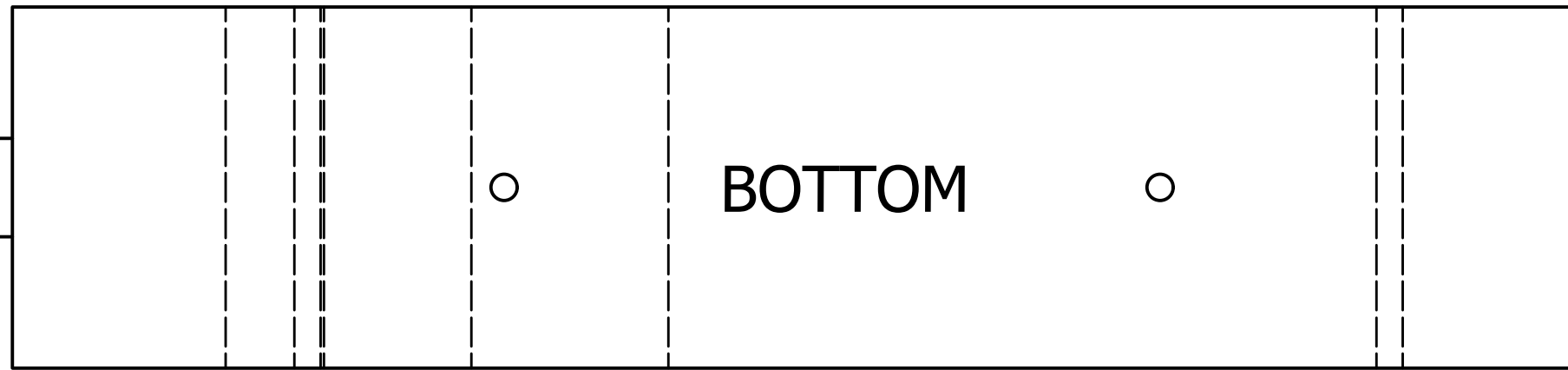


# BLOODHOUND EDUCATION ROCKET CAR TEMPLATE

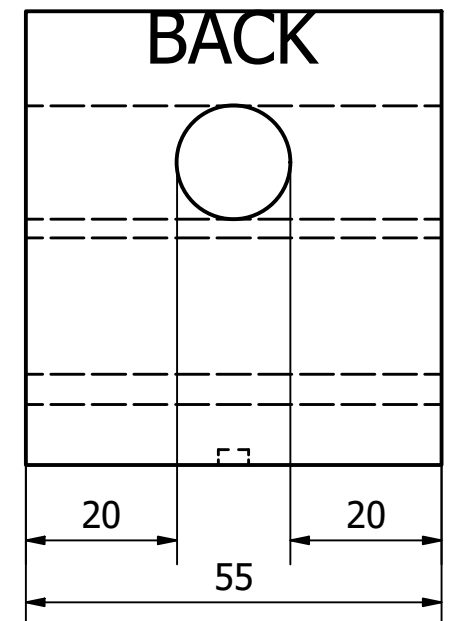
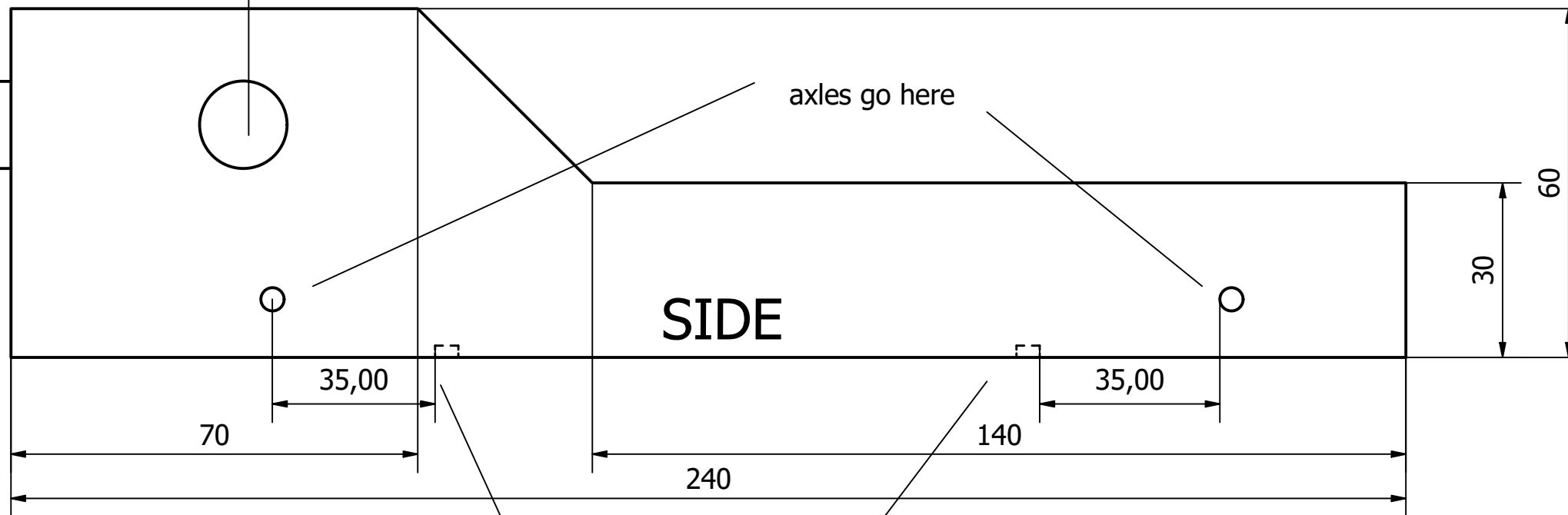


Rocket goes here


Rocket exhausts

axles go here

tether hooks go here



These are the minimum dimensions of material needed around the rocket to make your car safe. Plot these carefully onto your block, then design your aerodynamic car shape outside of these lines. Check it before cutting.

Designed by Emma Irwin	Checked by	Approved by Rob Bennett	Date	Date 30/09/2019
		BLOODHOUND EDUCATION	DIMENSIONS IN MM	
			Edition	Sheet 1 / 1