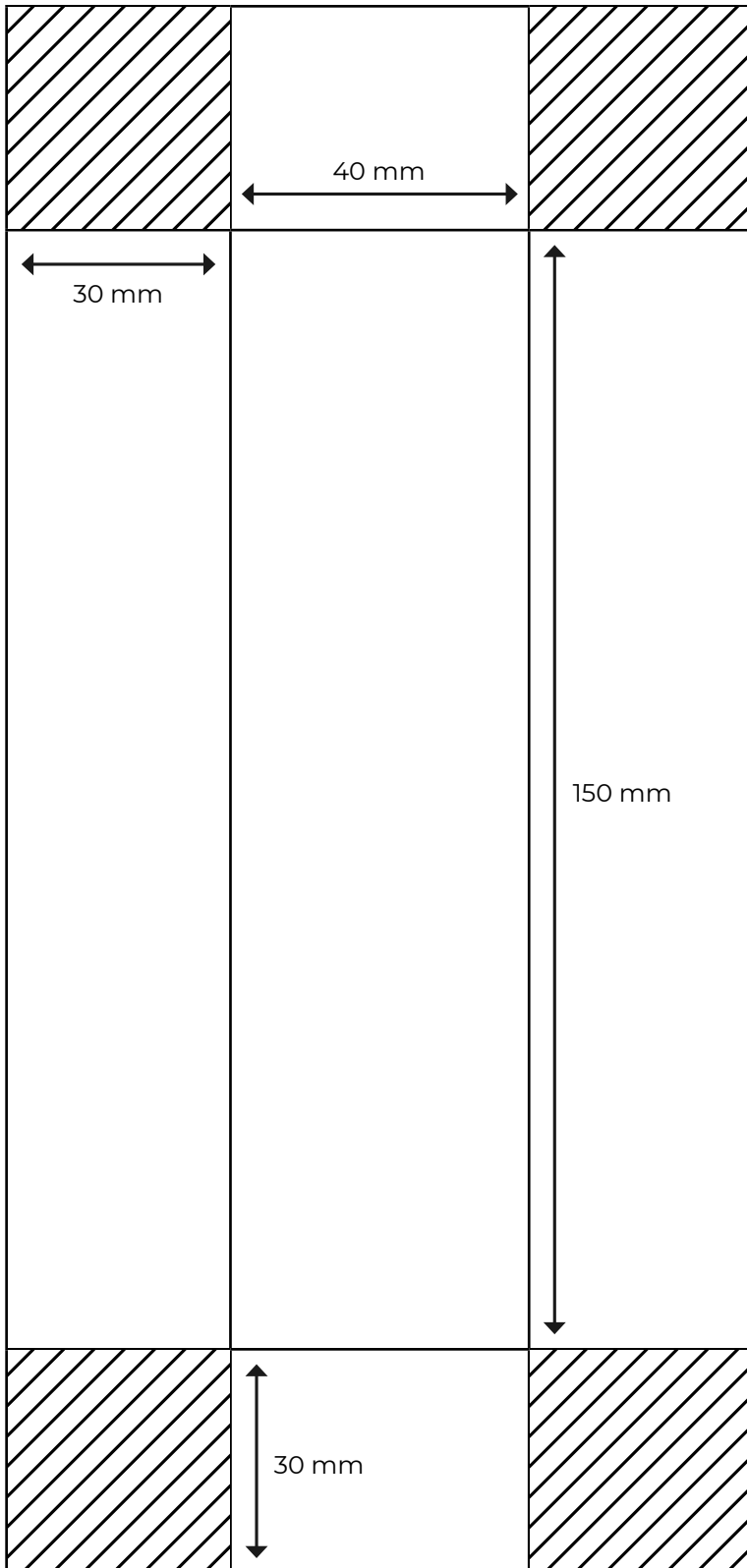
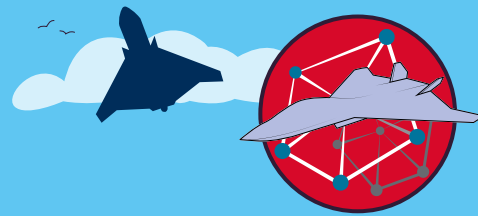
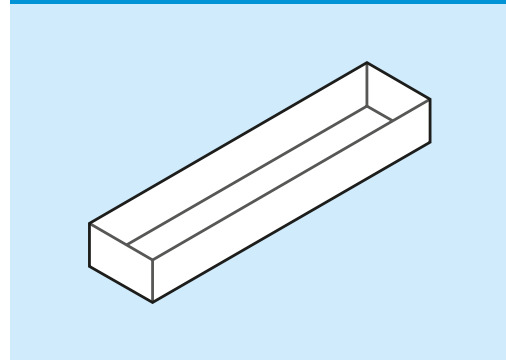


Mould template



The assembled mould should look like this:



Time to calculate

What is the volume of your mould?